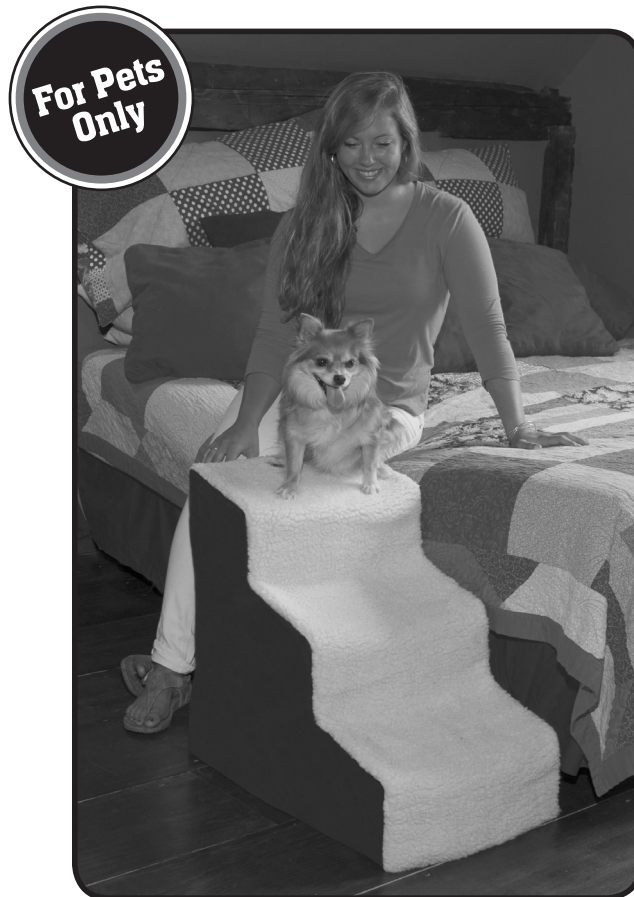




For The ON-THE-GO Pet™

INSTRUCTION MANUAL DELUXE SOFT STEP III

PG9730SOC



To see our full line of products, visit us online at: www.petgearinc.com

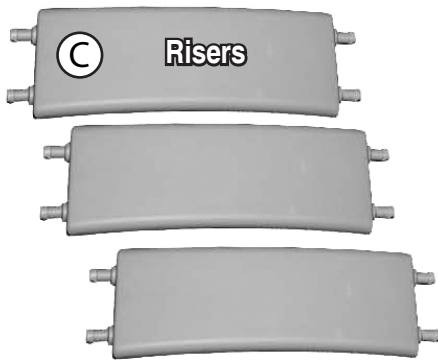
CUSTOMER SERVICE HELP DESK

customerservice@petgearinc.com

Toll-Free 877-752-9123 - Eastern Standard Time 8am-3pm, Monday through Friday

PARTS LIST

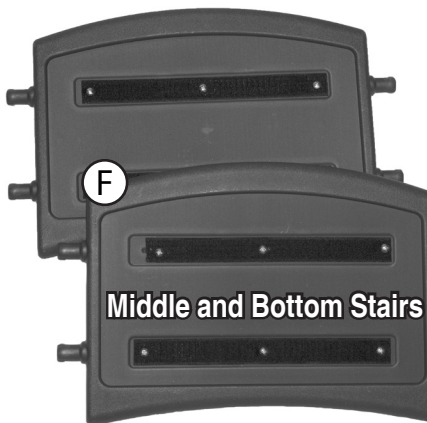
Check that you have all the parts shown BEFORE assembling your product.
If any parts are missing, call Customer Service.



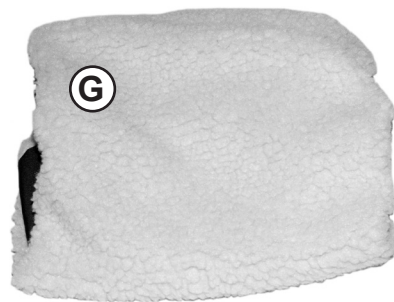
with Straight Edge



Dowel

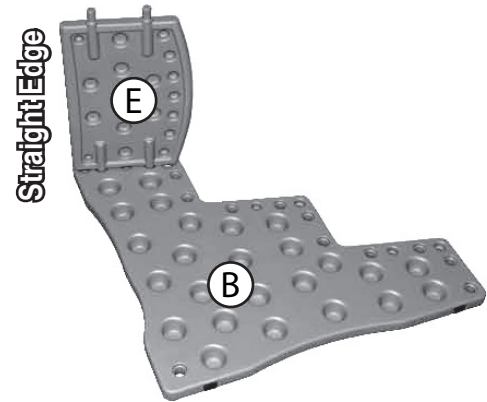
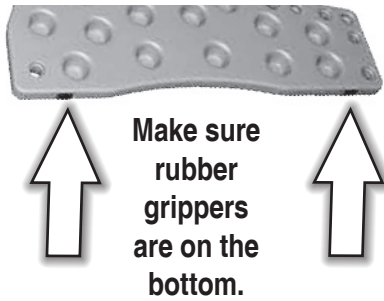


with Curved Side



Deluxe Soft Step Cover

ASSEMBLY INSTRUCTIONS



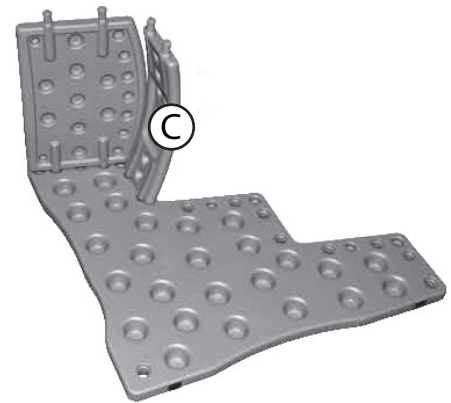
Step 1

With rubber grippers on the bottom, place right panel, part (B) on floor with **PET GEAR** Logo facing the floor and insert top stair, part (E).

Keep the STRAIGHT EDGE toward the back and rug facing the top. Make sure there are no gaps between parts after inserted. (If inserting part is difficult put a little dish soap on doweled end before inserting.)

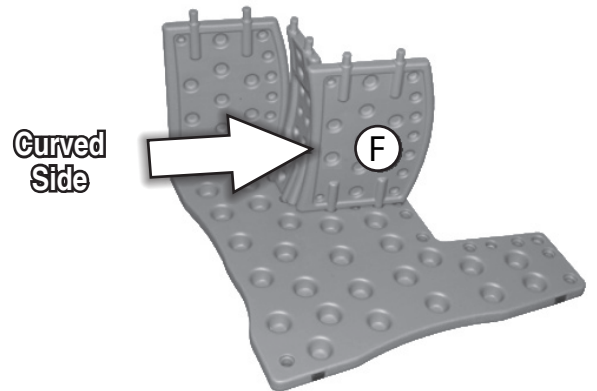
Step 2

Insert riser, part (C).
Make sure there are no gaps between parts after inserting.



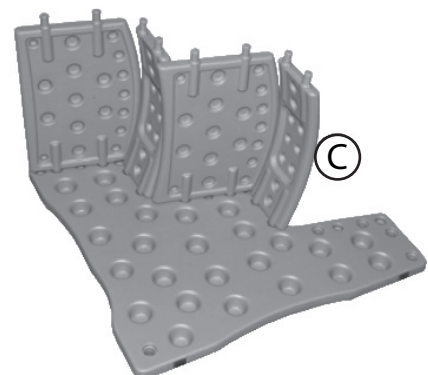
Step 3

Insert middle stair, part (F). Note the CURVED SIDE direction. Make sure there are no gaps between parts after inserting.



Step 4

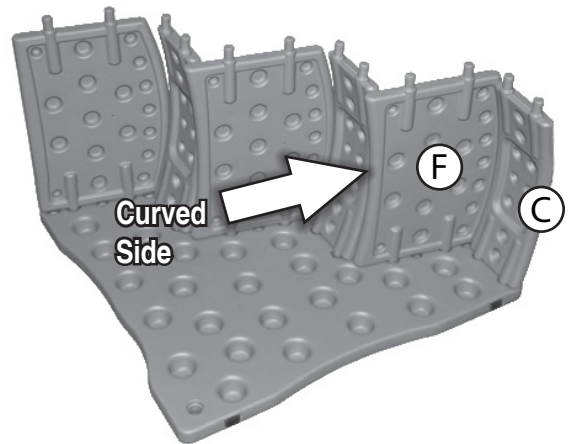
Insert riser, part (C). Make sure there are no gaps between parts after inserting.



ASSEMBLY INSTRUCTIONS

Step 5

Insert bottom stair, part (F). Note the **CURVED SIDE** direction. Make sure there are no gaps between parts after inserting.

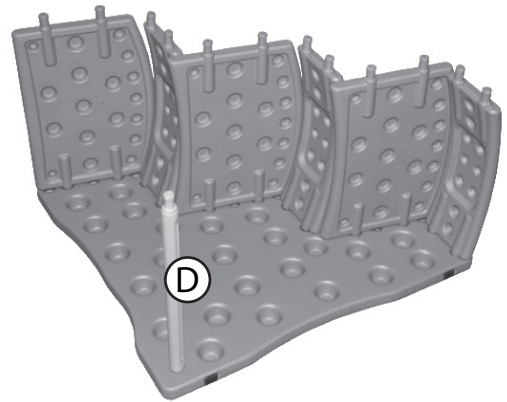


Step 6

Insert riser, part (C). Make sure there are no gaps between parts after inserting.

Step 7

Insert dowel, part (D). Make sure there are no gaps between parts after inserting.



Step 8

Attach left panel, part (A). Align all holes before pushing panel down. Make sure there are no gaps between parts after inserting.



ASSEMBLY INSTRUCTIONS

Step 9

Place deluxe soft step cover, part (G), over steps with the zipper in the back of the steps.



Step 10

Pull the zipper down to close.



WARNING!

FOR PETS ONLY.

Not intended to be used as a restraining device for aggressive or dangerous animals that dig, chew or paw aggressively. Do not leave your pet unattended. **PET GEAR** is not liable for any damage caused by aggressive, destructive, immature or untrained animals. Do not use near an open or exposed flame. Failure to follow these warnings and the instructions could result in serious injury or death.

REPLACEMENT PARTS

Use only **PET GEAR** replacement parts.

Please have your model number ready before calling.

You can also request parts: <http://www.petgearinc.com/main.asp?sel=2>



192 Sheldon Avenue • West Rutland, VT 05777 • 877-752-9123 • www.petgearinc.com